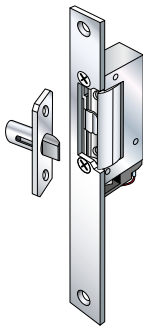


SLIM-DOORSTRIKE

PROFESSIONAL TECNODIMENSIONE ELECTRICAL DOOR STRIKE

Anti-panic "fail-safe" model (designed to disengage in the event of power failure) with RR sensor to control the door status and front plate for recess-mounting. Available on request with a mini spring bolt and adjustable self-lubricating bolt.

FOR FLUSH MOUNTING



One unit... for **4** different needs.

- 1st** Conventional wiring installation with screw-type terminal board via converter = **FLEXICON**
- 2nd** Ultra-slim and compact design to suit all door frame sections = **SLIM**
- 3rd** Sensor controlling the door status and adjustable counter latch = **REGOSTRIKE**
- 4th** Fail-safe; it automatically unlocks in the event of power failure freeing the door for emergency exit also in the event of fire = **FAIL-SAFE**



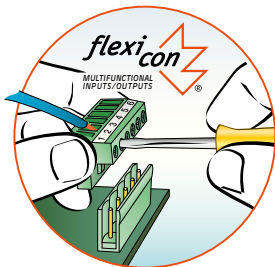
PERFECT FOR STERILE ROOMS.

1st flexicon

MULTIFUNCTIONAL INPUTS/OUTPUTS

Ideal for the installation on existing door frames in combination with conventional wiring systems and to be interfaced with any control unit such as PLC, microprocessor boards or conventional electronics.....

... it's **FLEXICON!**

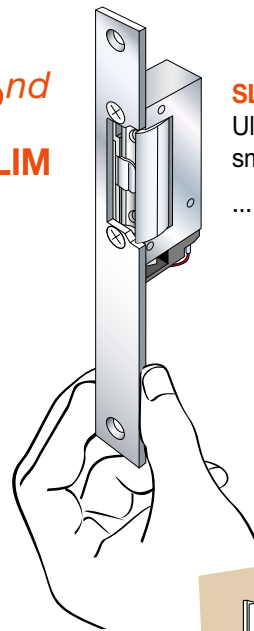


2nd SLIM

SLIM-MICROREDLOCK

Ultra-slim and compact for very small door frame profiles...

... it's **SLIM!**

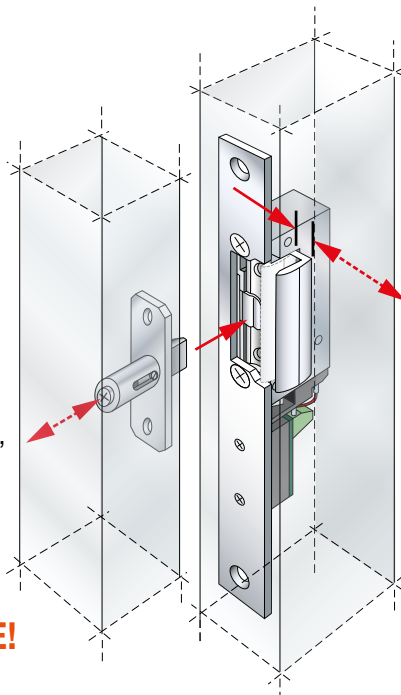


3rd REGOSTRIKE

SLIM-DOORSTRIKE

Supplied with a sensor that controls the door status (open/closed) and the penetration of the spring bolt (also adjustable) during closing, and with a counter latch that can be adjusted to obtain a perfect compensation and alignment of the wing...

... it's **REGOSTRIKE!**



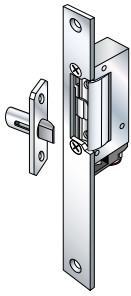
4th FAIL-SAFE



SLIM-DOORSTRIKE

Automatic fail-safe unlock = bolt "in" without power, bolt "out" when powered. In the event of fire or power failure it automatically unlocks freeing the exit...

... it's **FAIL-SAFE!**



flexi con
MULTIFUNCTIONAL
INPUTS/OUTPUTS

PROFESSIONAL ELECTRICAL DOOR STRIKE
SLIM-DOORSTRIKE
"FLEXICON"
with screw-type terminal board for conventional cabling

Export Product-list
January 2024



TECNODIMENSIONE®

Electrical door strike for recess-mounting.
Ideal for "clean rooms".

Ordering information

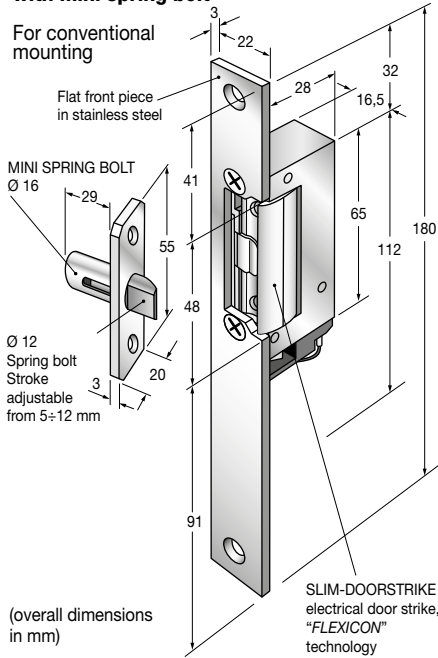
Q.ty

MODELS

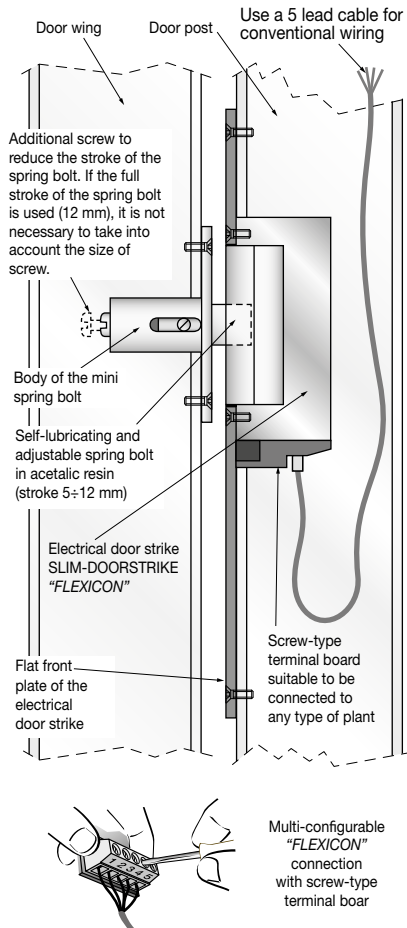
N°

SLIM-DOORSTRIKE "FLEXICON" with mini spring bolt

For conventional mounting



EXAMPLE OF RECESS-MOUNTING ON THE DOOR FRAME



Series SLIM-DOORSTRIKE (fail-safe) "anti-panic" model = Disengages in the event of power failure.
If a fire breaks out and no power is available, the electrical SLIM-DOORSTRIKE automatically disengages to allow a safe evacuation.

Models for 12 Vdc power supply

SLIM-DOORSTRIKE electrical door strike for flush mounting, "FLEXICON" technology, with one 8-pole RJ45-8 quick fitting female connector for immediate connections.
- Fail-safe (anti-panic) version with 100% ED coil for a continuous operation
- RR microswitch sensor controlling the door status
- Adjustable counter latch
- 12 Vdc/280 mA power supply
Supplied with flat front plate in stainless steel.

0158J12RM

Models for 24Vdc power supply

SLIM-DOORSTRIKE electrical door strike for flush mounting, "FLEXICON" technology, same characteristics as the model above but for a 24Vdc/140 mA power supply.

0158J14RM

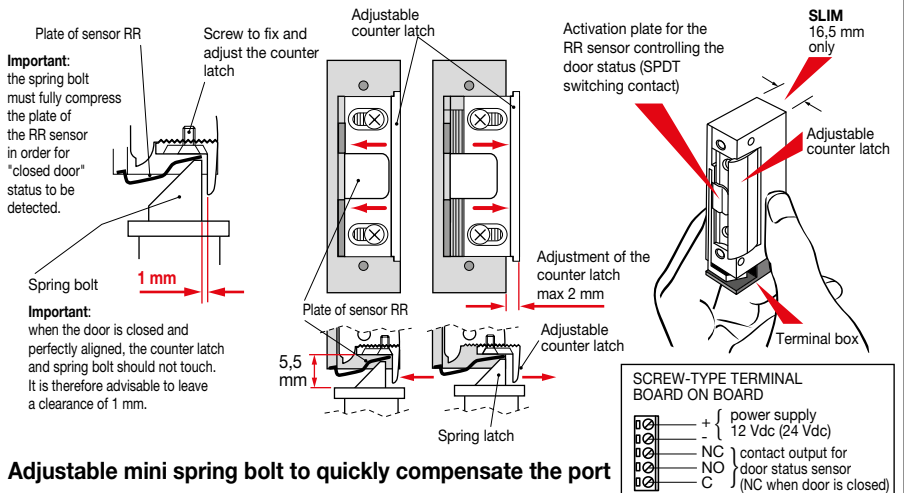
Accessory (optional)

Mini spring bolt for recess-mounting with adjustable spring bolt. Body with recess-mounting flange in anodised machined aluminium with a "silver" finish. Self-lubricating spring bolt in acetalic resin with stroke adjustable from 5 to 12 mm.

004910K

Note: on request, electrical SLIM-DOORSTRIKE can even be supplied with front plate in anodised machined aluminium, with customised shape, for alignment and mounting without visible cuts on custom profiles with rounded sections ("CLEAN" versions).

Electrical SLIM-DOORSTRIKE with RR sensor to control the door status and adjustable counter latch



Adjustable mini spring bolt to quickly compensate the port

