

# BLINDO-DOORSTRIKE

with key override for manual release

'CLEAN COVER' armored housing for easy surface mounting of all **NEWSLIM** series professional electrical door strikes.

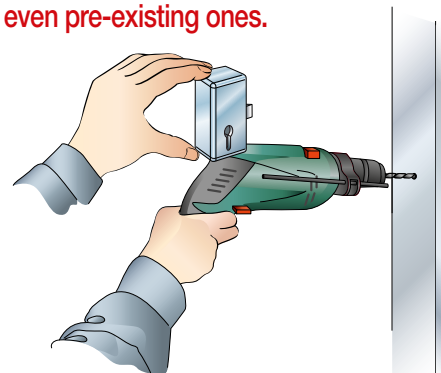
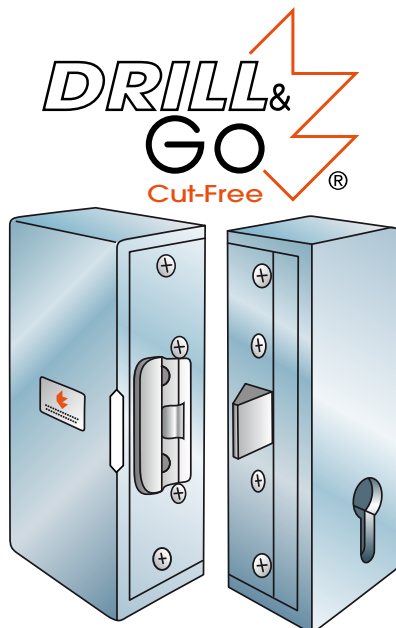
Innovative solution for immediate installation to all types of door, even pre-existing ones.

No cutting the frame  
no work on internal frame  
grain!

Only a portable drill is needed to easily install **DRILL&GO** devices on any frame.

That's it, and your door is safely powered.

No more open doors!



FOR EASY SURFACE MOUNT  
INSTALLATION OF **NEWSLIM** SERIES  
ELECTRIC DOOR STRIKES

## THE ELECTRIC LOCKING SYSTEM OF YOUR ENTRANCE CAN BE INSTALLED STRAIGHT AWAY

**A simple non-removable installation using concealed screws is all that's needed!**

All you have to do is install the two elements of the BLINDO-DOORSTRIKE, machined from solid anodised aluminium, to any door, entrance or gate, even pre-existing ones, to have an elegant and 'Clean Cover' armored housing.

The BLINDO-DOORSTRIKE electric locking system is easy, fast and extremely safe to install.

Thanks to its design, it cannot be removed from the outside.

It is the ideal solution in factories, industries, companies, laboratories, offices, public bodies, professional firms, shops, apartment buildings and private homes, wherever remote electric opening via push-buttons, intercoms etc. is required, as well as for entrances that are opened by badges, biometric and/or digital code readers.



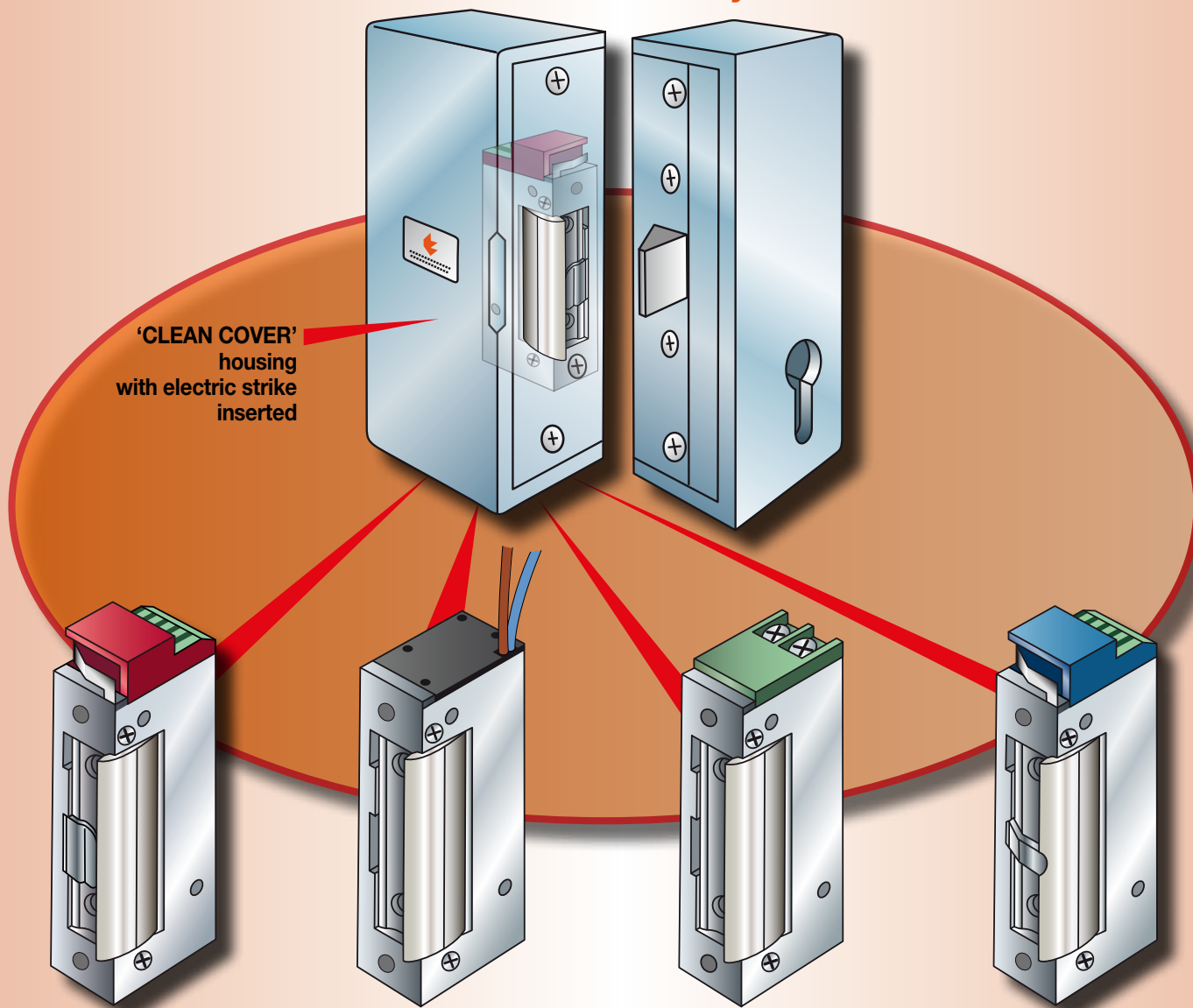
If you also require an alarm, a version of the BLINDO-DOORSTRIKE is available complete with RR sensor for remote door status monitoring, open or closed.

With the addition of our SLIM-HANDTRONIX module, full professional door management can be implemented, with various timing and monitoring options (see page 92).



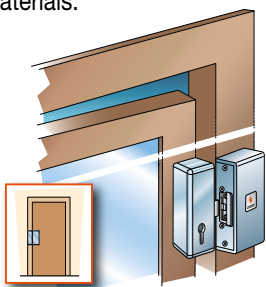
# NEW BLINDO-DOORSTRIKE secure 'CLEAN COVER' housing

for converting the New SLIM Series Electrical Strikes into a surface-mount version with 4 versions suitable for any environment



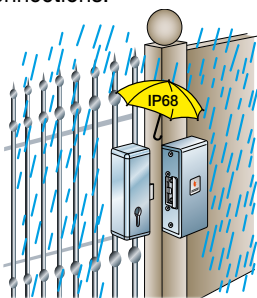
### NEWSLIM CLASSIC

version for normal environments. Suitable for applications on doors of various types and materials.



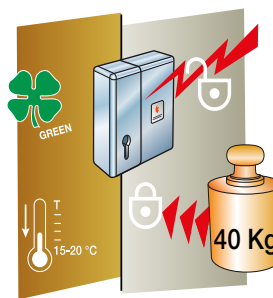
### NEWSLIM WATERPROOF

waterproof version for outdoor applications. Fitted with IP68 rated terminal blocks and electrical connections.



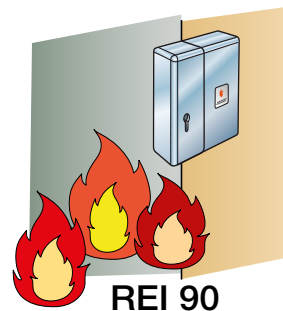
### NEWSLIM GREENTRONIX

'intelligent' operation with multifunction microchip: anti-preload, energy saving, anti-coil heating.



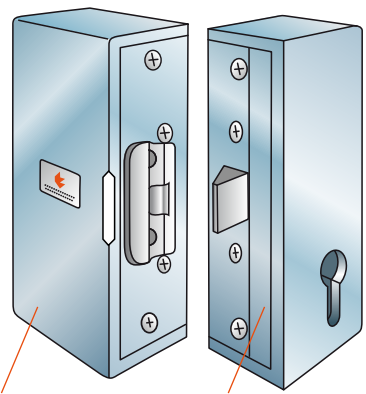
### NEWSLIM FIRE

fire resistant version REI 90. For use on smoke and fire doors.



Here's the 'NEWSLIM' version incorporated into the strike block of the **BLINDO-DOORSTRIKE** housing for easy surface mount installation on any type of door even pre-existing ones, without having to make holes or recesses!

**IDEAL FOR EVEN THE MOST VARIED ENVIRONMENTAL CONDITIONS**



**Element A** shown with *NEWSLIM*\* Electrical Strike  
**Element B** with incorporated spring latch

**FOR EASY SURFACE MOUNT INSTALLATION**

**BLINDO-DOORSTRIKE** with key override manual release

'CLEAN COVER' housing for easy surface mounting of professional electrical door strikes

**innovation**

Innovative solution that allows all *NEWSLIM*\* series professional electric door strike to be installed directly on any type of door, even pre-existing ones

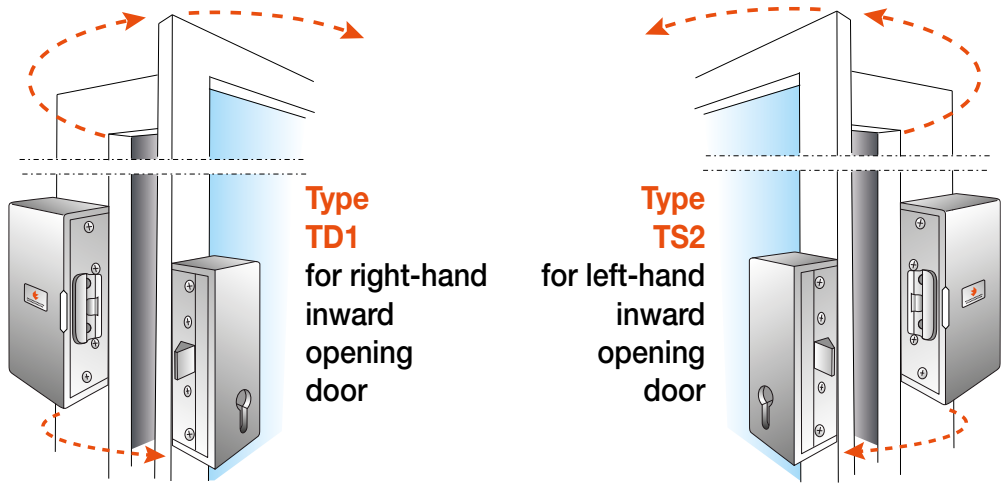


One unit.. for 4 different needs.

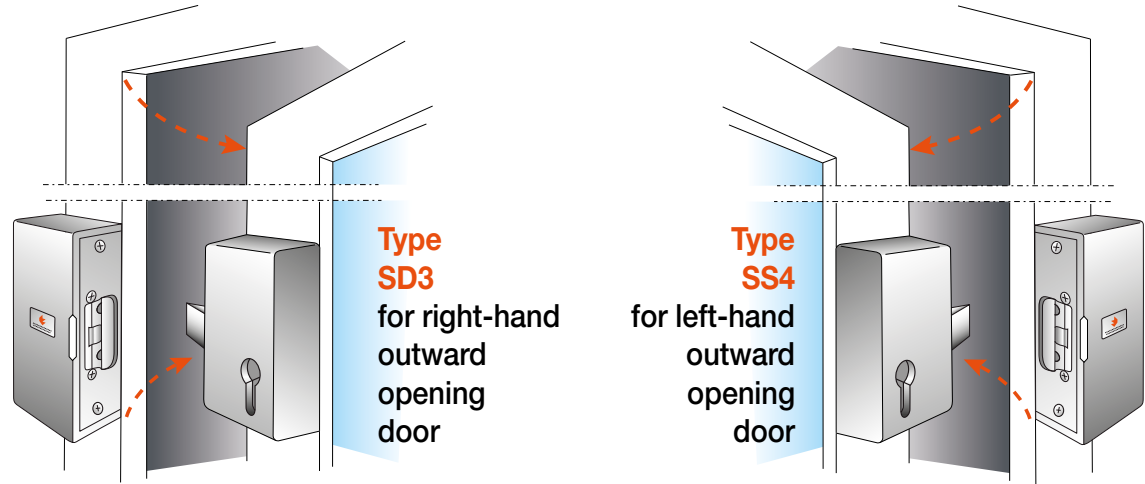
- 1<sup>st</sup>** Surface mount for direct installation on any type of door without having to make recesses or modifications to the internal framework of the door. All you need is a drill and a screwdriver = **DRILL & GO CUT-FREE**
- 2<sup>nd</sup>** Elegant ultra-robust housing, in satin finish anticorodal anodised aluminium machined from solid. Lock with incorporated OT58 chromed brass spring latch, machined from solid, with additional key release mechanism ♦ = **BLINDO CLEAN-COVER**
- 3<sup>rd</sup>** Non-removable: no visible screws, cannot be removed from the outside = **SECURBLOCK**
- 4<sup>th</sup>** Two models for installation on any type of door, even pre-existing ones: for opening to the right or left, by pulling or pushing = **DUPLOFIX**



**EXAMPLE OF PULL TO EXIT DOOR (usual case)**



**EXAMPLE OF PUSH TO EXIT DOOR (infrequent)**

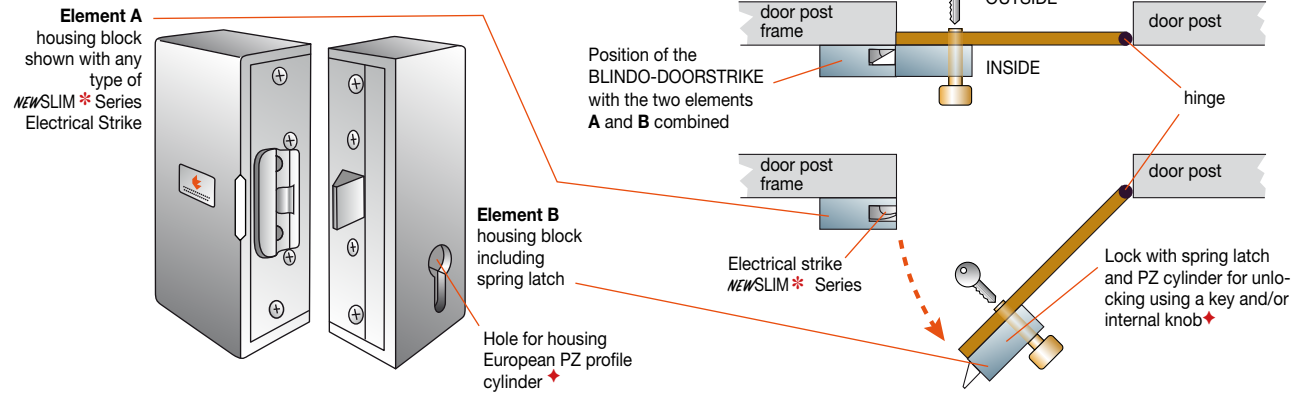


\* Note 1: The *NEWSLIM* series electrical strike to be inserted in **element A** should be chosen according to technical requirements (see the models in our SECURITY price list).  
 ♦ Note 2: To allow the door to be opened manually too, use a key/key or key/knob type European PZ profile cylinder of any make or model. The length should be chosen according to the thickness of the leaf of the door. The cylinder has to be purchased separately by the installer.

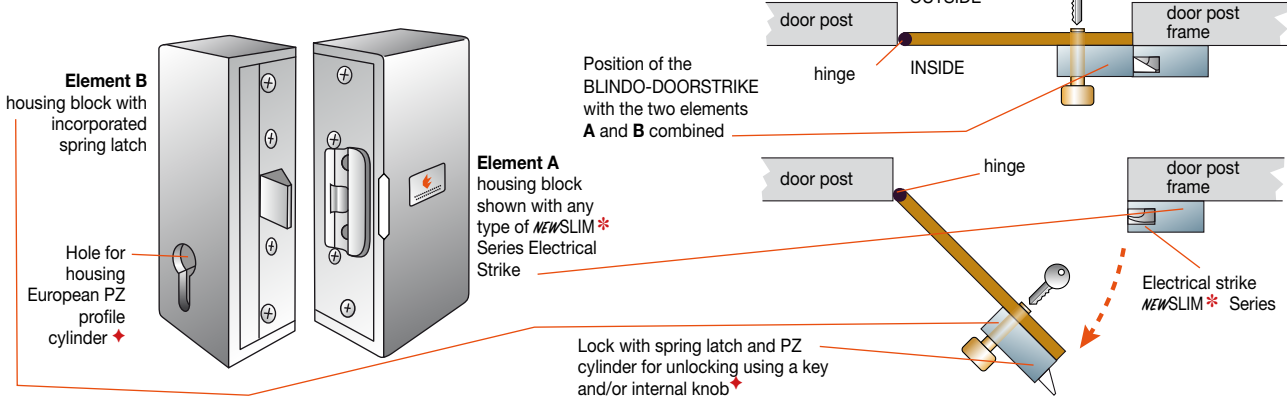
# BLINDO-DOORSTRIKE with key override manual release

'CLEAN COVER' armored housing for easy surface mounting of *NEWSLIM* series professional electrical door strikes. How to install the housing according to the direction in which the door opens - installation inside the protected area.

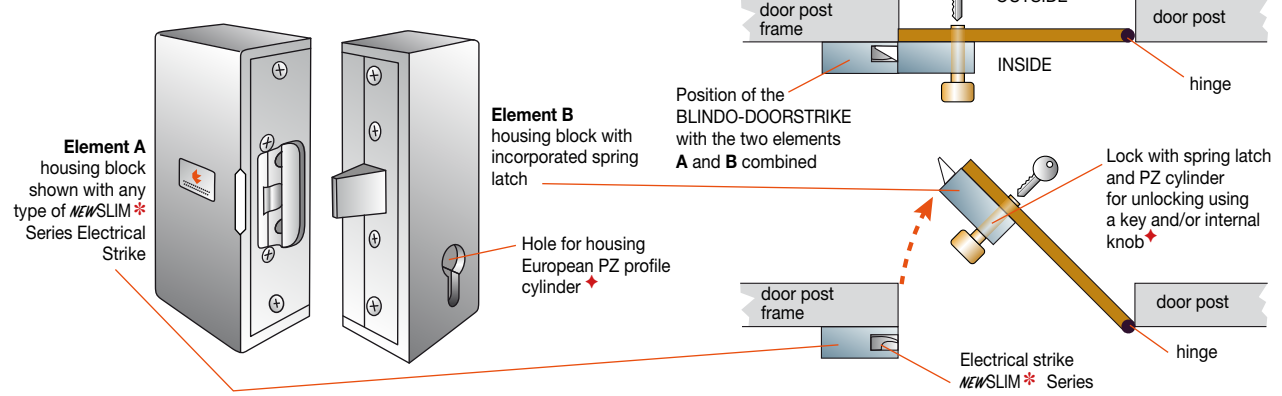
## Type TD1 for right-hand inward opening door by pulling



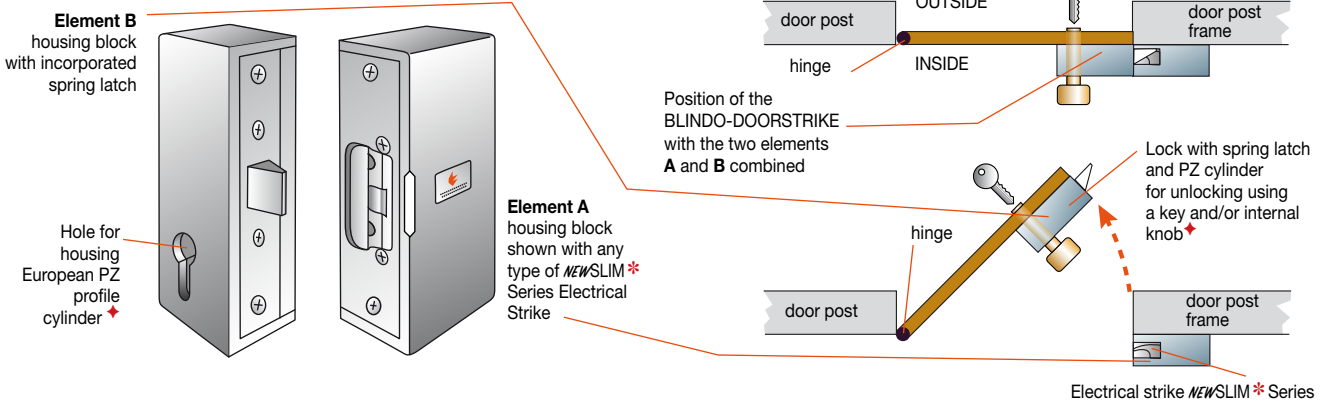
## Type TS2 for left-hand inward opening door by pulling



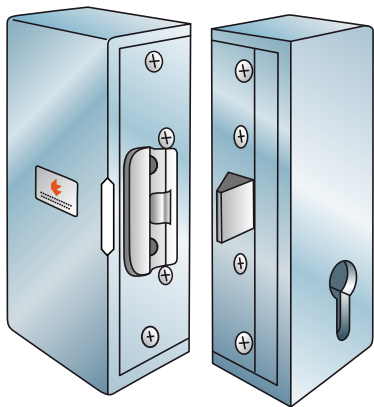
## Type SD3 for right-hand outwards opening door by pushing



## Typ SS4 for left-hand outwards opening door by pushing



\* Note 1: The *NEWSLIM* series electrical strike to be inserted in **element A** should be chosen according to technical requirements (see the models in our SECURITY price list).  
 ♦ Note 2: To allow the door to be opened manually too, use a key/key or key/knob type European PZ profile cylinder of any make or model. The length should be chosen according to the thickness of the leaf of the door. The cylinder has to be purchased separately by the installer.



# BLINDO-DOORSTRIKE

with key override manual release

'CLEAN COVER' armored housing  
for easy surface mounting  
of all *NEWSLI* Series Electrical door strikes

Elegant and ultra-robust housing in anodised satin finish aluminium machined from solid. Designed for surface mounting, can be installed easily without having to cut and/or make recesses on any type of door = DRILL&GO.

### Element 'A' exploded view

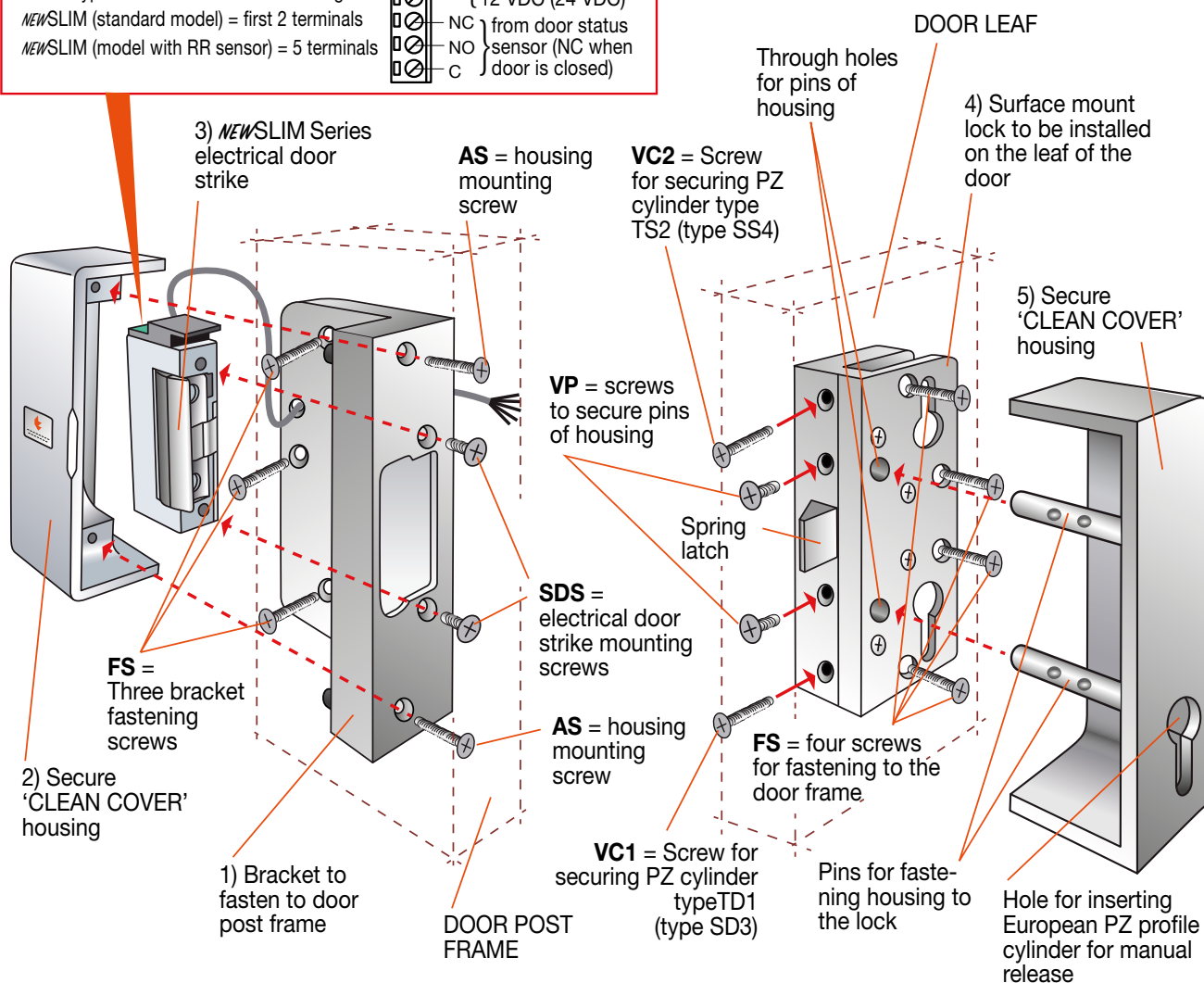
housing block, shown with *NEWSLIM* Series electric strike installed (the chosen model) and the mounting bracket to fasten to the door post frame

### Element 'B' exploded view

housing block, including the mounting bracket complete with spring latch to install on the leaf of the door

Screw type terminal board for connecting  
*NEWSLIM* (standard model) = first 2 terminals  
*NEWSLIM* (model with RR sensor) = 5 terminals

	+	power supply
	-	
	NC	from door status sensor (NC when door is closed)
	NO	
	C	



#### Step 1: assemble element 'B', to install on the leaf of the door, in the following order:

- Correspondence with the hole for the passage of the PZ cylinder. Fix it in place using four suitable **FS** screws.
- Install the housing (5) that covers the lock by inserting the two pins in the corresponding holes. Assemble everything using the two **VP** screws that secure the pins of the housing and join the two components together.
- Lastly, insert the PZ cylinder and secure it using the **VC** screw, according to the type.

#### Step 2: assemble element 'A' to install on the door post frame, in the following order:

- Position the bracket (1) so that the alignment arrow coincides with the arrow of the lock of element 'B'.
- Fasten the bracket (1) to the door post frame using the three **FS** screws.
- Insert the body of the electrical strike (3) into the window of the bracket. Then assemble everything using the two **SDS** screws to join the two components together.
- Install the housing (2) that covers the bracket (1) and secure it using the two **AS** screws.

#### Note:

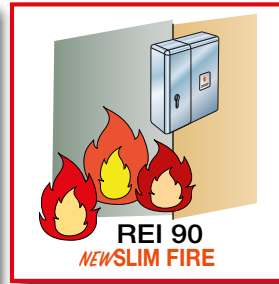
- AS** = 2 assembly screws (supplied)
- SDS** = 2 screws for electrical door strike (supplied)
- VP** = 2 screws to secure the two pins of the housing to the lock (supplied)
- FS** = 7 (3+4) fixing and fastening screws, length and type according to the type of door (not supplied)
- VC** = screws supplied with the cylinder (not supplied)

**ATTENTION:**  
for overall dimensions see on the next page

# NEWBLINDO-DOORSTRIKE

with key override manual release

Secure "Clean Cover" armored housing for inserting the NEWSLIM Series Traditional Electric Strike.  
Select the version for the 4 environments.



**NEWBLINDO-DOORSTRIKE** is an elegant and ultra-robust housing in anodised satin finish aluminium machined from solid. Designed for easy surface mounting, can be installed easily without having to cut and/or make recesses on any type of door = DRILL&GO.

Non-removable 'CLEAN COVER' armored housing with no visible screws, cannot be removed from the outside. Kit consisting of two elements A and B.

element 'A': is the housing block designed to contain the NEWSLIM \* Series electric strike.

element 'B': is the housing block incorporating the OT58 chromed brass spring latch, machined from solid. With hole for inserting the PZ cylinder for manual release.

- Dimensions 130 x 49 x 38 mm (for each block)

- Overall weight 1 kg (excluding electric strike and cylinder)

\* Note 1: The SLIM series electric strike to be inserted in element A should be chosen according to requirements

♦ Nota 2: For mechanical opening, use a key/key or key/knob type PZ cylinder of any make or model. The length should be chosen according to the thickness of the leaf of the door. The cylinder has to be purchased separately.

Nota 3: For timer and monitoring functions see Handtronix in the SECURITY price list.

## Export Product-list

January 2024



**TECNODIMENSIONE®**

Ordering information



Q.ty

MODELS

N°

secure 'Clean Cover' housing only

0150FCK1  
0150FCK2  
0150FCK3  
0150FCK4

0150FCKA  
0150FCKB

Available in 4 configurations according to the direction in which the door opens.

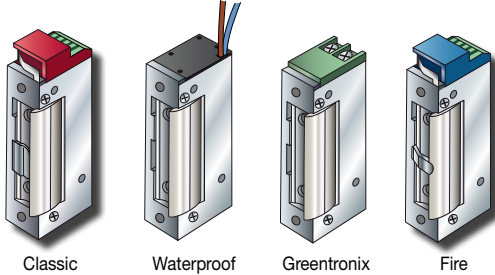
BLINDO-DOORSTRIKE housing only (without electrical strike body)

**Configuration TD1 = for right-hand inward opening door to exit**  
**Configuration TS2 = for left-hand inward opening door to exit**  
**Configuration SD3 = for right-hand outward opening door to exit**  
**Configuration SS4 = for left-hand outwards opening door to exit**

Alignment shim plate (2 mm) in anodised aluminium: for element A for element B

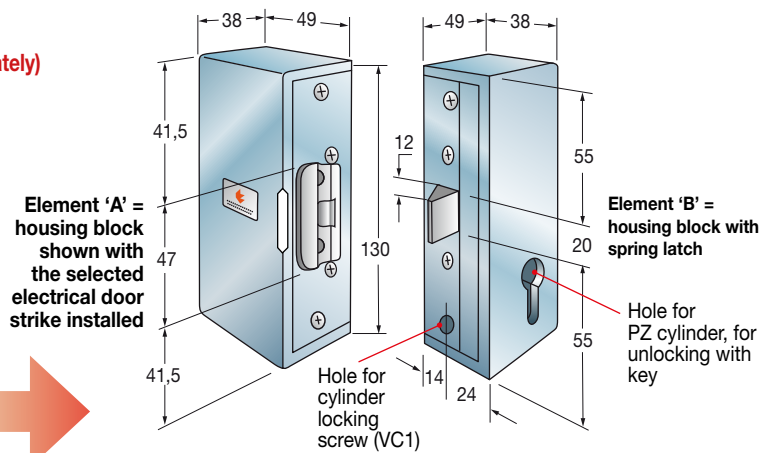
## TECHNICAL SPECIFICATIONS

NEWSLIM electrical door strike body to be inserted into the secure 'Clean Cover' BLINDO-DOORSTRIKE housing (Electrical strike to be selected and purchased separately)

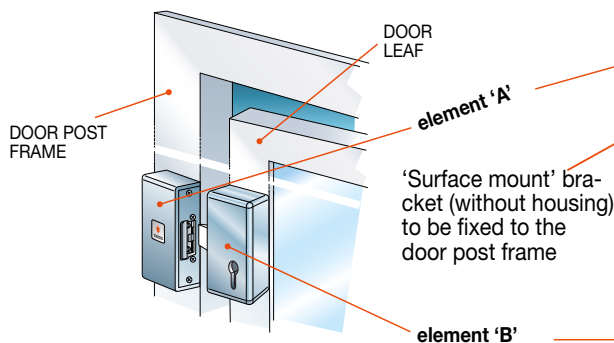


choose the model and version of the Electrical Door Strike according to requirements

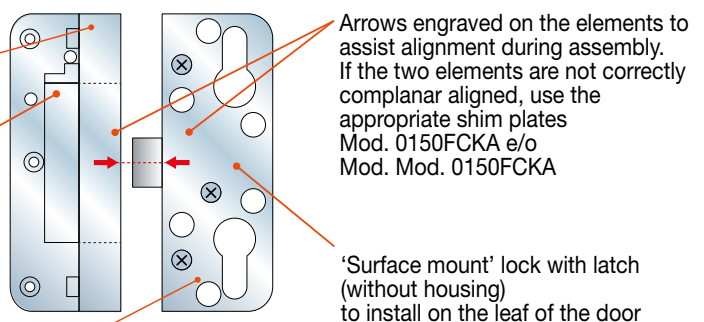
Example of a NEWSLIM electrical door strike (any of the above models) installed in the secure BLINDO-DOORSTRIKE housing



Example of surface mounted NEW BLINDO-DOORSTRIKE on a pull to exit door



Features for the alignment of elements A and B of the NEW BLINDO-DOORSTRIKE



**Export Product-list**  
January 2018



**TECNODIMENSIONE®**

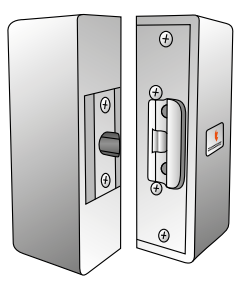
**ULTRA COMPACT ELECTRICAL DOOR STRIKE**  
**BLINDO-DOORSTRIKE**

in "CLEAN COVER" by single block for surface mount  
without key override manual release

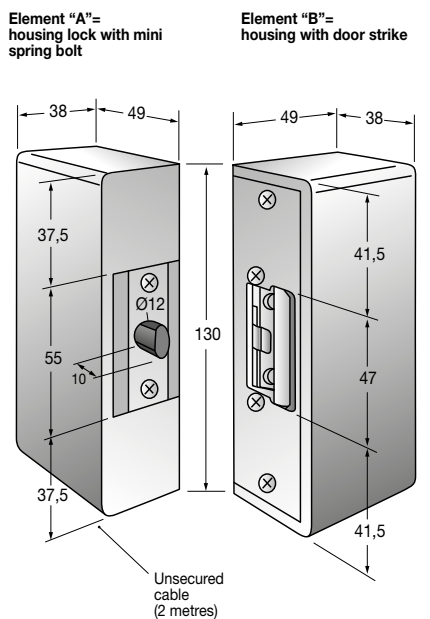
Ultra-compact electrical door strike with full coverage "CLEAN COVER" made by single block of anodised aluminium. Ideal for jutting assembly, easy to handle and install by fixing it to door surface without any chasing and/or cutting on any type of door frame = DRILL&GO.

Ordering information		
		Q.ty
<b>MODELS</b>		<b>N°</b>

Note:  
**MODEL WITHOUT MANUAL RELEASE KEY**  
for model with release key see page 55



**SLIM-DOORSTRIKE**  
without key  
for surface mounting "DRILL&GO"  
in protective "CLEAN COVER" housing



(overall dimensions in mm)

**Fail-secure version (security)** = powered release.  
**If there is no power, the SLIM DOORSTRIKE closes to prevent unauthorized access.**  
**Fail-safe version (anti-panic)** = release without power.  
**If there is a fire in case of power latch, the SLIM DOORSTRIKE releases automatically to enable a safe evacuation.**

**Models for 12 Vdc power supply**

**SLIM-DOORSTRIKE electrical door strike** electrical door strike for conventional mount and screw terminal board for conventional connection to any system, even pre-existent. Equipped with "CLEAN COVER" protective case in single billet of anticorrosive, anodized and mechanically polished aluminium, taken from full part. For easy surface assembly with special invisible anti-removal rod without any visible screws.

<b>0156J12DCM</b> for pull-open doors		
<b>0156J12SCM</b> for push-open doors		

**Fail-secure version with powered release.**  
Kit with two Right/Left elements for pull and push doors:  
element "A": is the case that includes the electrical reference to be secured on counter.  
Element "B": is the loose reference bolt to be secured on the door leaf frame matching element "A".  
- With 100% ED reel for uninterrupted functioning.  
- Includes a Reed sensor to control door status.  
- Power supply 12 VDC/280 mA  
- Overall dimensions 137 x 49 x 38 mm (for both units)  
- Weight kg 1,100

**SLIM-DOORSTRIKE fail-safe version.**  
Right/Left kits for pull and push doors.  
Same as above but releases in event of power latch.

<b>0158J12DCM</b> for pull-open doors		
<b>0158J12SCM</b> for push-open doors		

**Models for 24Vdc power supply (on request)**

**SLIM-DOORSTRIKE fail-secure version.**  
Kit with two Right/Left elements for pull and push doors.  
Same as above but with 24VDC/140 mA power supply.

<b>0156J14DCM</b> for pull-open doors		
<b>0156J14SCM</b> for push-open doors		

**SLIM-DOORSTRIKE fail-safe version.**  
Reversible kit with two Right/Left elements for pull and push doors.  
Same as above but with 24VDC/140 mA of power latch.

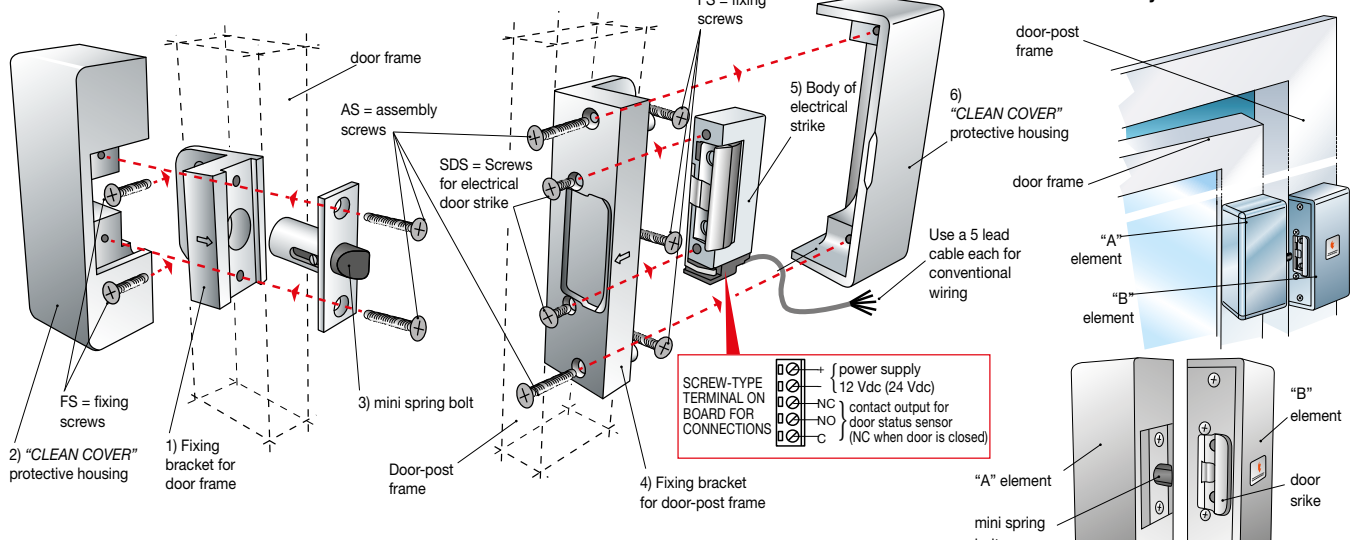
<b>0158J14DCM</b> for pull-open doors		
<b>0158J14SCM</b> for push-open doors		

**PROCEDURE FOR INSTALLING THE BLINDO ELECTRIC DOOR STRIKE IN AKEYLESS 'CLEAN COVER' HOUSING**

**"A" element exploded view**  
Housing protective "CLEAN COVER" which includes mini spring bolt (to be mounted on door)

**"B" element exploded view**  
Housing protective "CLEAN COVER" which includes electrical door strike (to be mounted on door-post)

**Example of one door complete with doorstrike CLEANCOVER-DOORSTRIKE unit finally mounted**



- Assembly sequence for element "A"**  
to be mounted on door frame:
- secure the bracket (1) on the door with the two FS fixing screws
  - Insert the protective housing (2) to cover the bracket (1).
  - insert the mini spring bolt (3) in the hole in the bracket and assembly all parts with the two supplied pass-through AS screws that link all the three parts together.

- Assembly sequence for element "B"**  
to be mounted on door-post frame:
- secure the bracket (4) on the door-post with three FS fastening screws.
  - secure the electrical door strike body (5) with the two SDS screws supplied with the bracket (4).
  - insert the protective housing (6) to cover the bracket (4) with electrical door strike (5) and connect all parts with the two AS supplied pass-through screws that link all the three parts together.

Note:  
AS = 4 assembly screws  
SDS = 2 screws for electrical door strike supplied together.  
FS = 5 fixing and fastening screws on frame should be provided by installer (based on type of frame).